

SINGLE ACTING CYLINDERS

- 42 Models
- Rod wiper seals out dirt and contamination
- Collar fixture threads and thread protection cover
- Two base mounting holes on most models
- High strength steel construction from gun drilled solid bar
- One piece high grade alloy bearing for side load protection and long life
- Polyurethane cup seal provides for optimum performance
- Industrial hard chrome plated rod helps prevent rust and corrosion
- Solid steel cylinder body
- Heavy duty return spring provides quicker retraction
- Ideal for lifting and pressing
- Maximum working pressure: 10,000 psi / 700 bar
- H5506, H5513, and all 75 and 100 ton cylinders are equipped with carrying handles



**High-Flow Coupler: CH38F
Included on all models**

*H0203 comes with CRZ14F



THE BVA ADVANTAGE

Heavy duty, heat treated, grooved saddle provides better surface traction during operation

Rod wiper seals out dirt and contamination

Industrial hard chrome plated rod prevents scratching and corrosion

One piece steel rod stopper for extra strength and prevents over travel

Polyurethane cup seal provides optimum performance

Rectangular return spring design results in even distribution of the load, eliminating spring breakage and creating quicker retraction

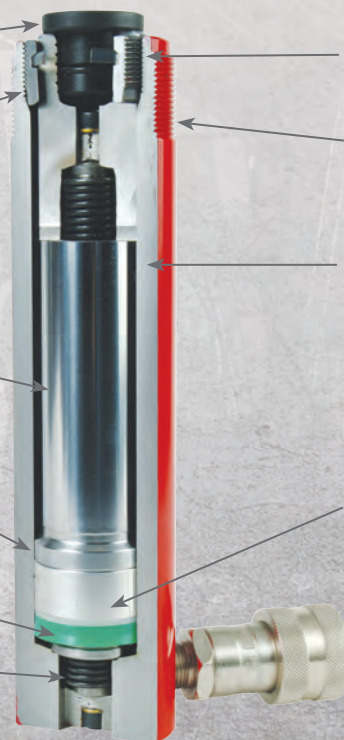
Steel stop ring for rod over travel protection

Collar fixture threads

Cylinders are burnish rolled for a smooth precision mirror finish, which reduces scoring and prolongs seal life

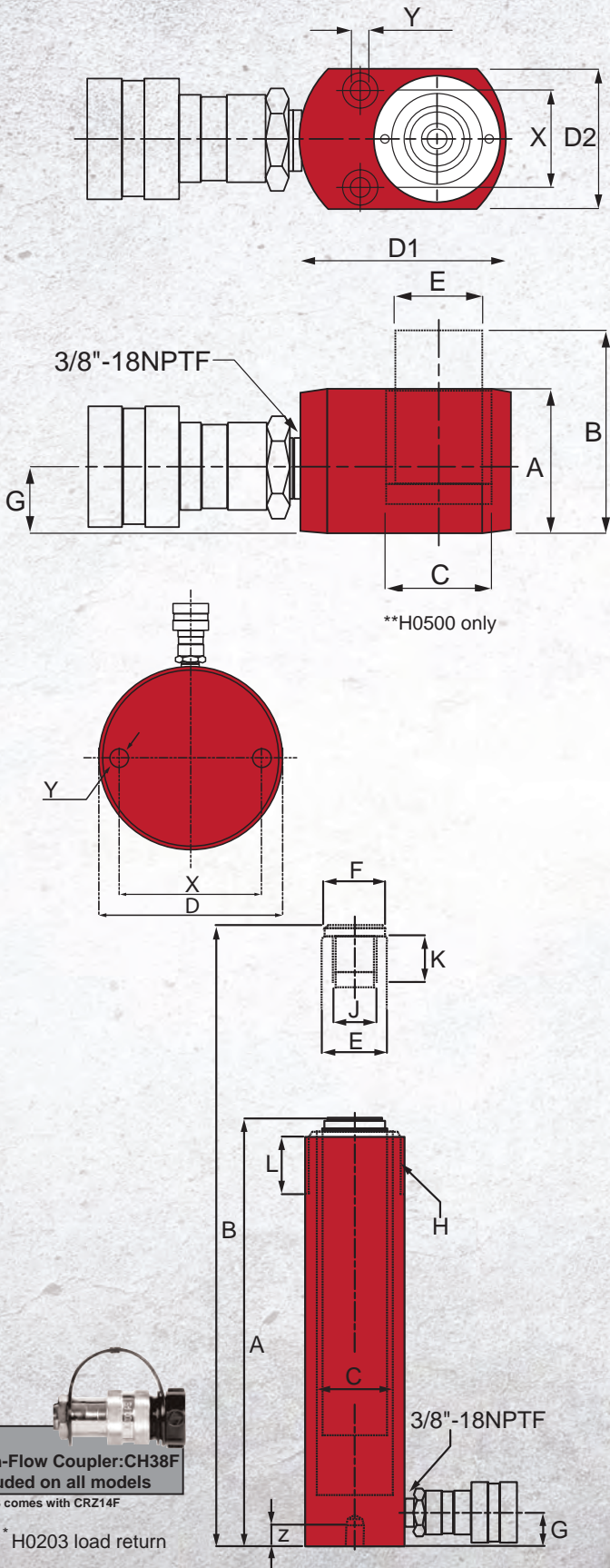
One piece high grade alloy bearing for side load protection and long life

High flow ball coupler provides more flow than conventional couplers



- **BVA Lifetime Warranty • Repair Parts Available**
- **All Cylinders Are Tested to Exceed Industrial Standards**

SINGLE ACTING CYLINDERS



High-Flow Coupler: CH38F
Included on all models

*H0203 comes with CRZ14F

* H0203 load return

± Cylinder is equipped with carrying handle

Cylinder Capacity (tons)	Stroke (in)	Model Number	Cylinder Effective Area (in ²)	Internal Pressure at Capacity (psi)	Oil Capacity (in ³)	Weight (Lbs)	
2	3.07	H0203*	0.76	5,263	2.28	2	
5	0.63	H0500**	1.1	9,091	0.69	1.85	
	1	H0501	1.0	10,000	1	3.1	
	3.07	H0503	1.0	10,000	3.07	3.17	
	5.08	H0505	1.0	10,000	5.08	3.93	
	7.09	H0507	1.0	10,000	7.09	4.7	
10	0.98	H1001	2.24	8,928	2.19	3.92	
	2.01	H1002	2.24	8,928	4.5	4.96	
	4.02	H1004	2.24	8,928	9.0	7.67	
	5.94	H1006	2.24	8,928	13.3	9.45	
	7.95	H1008	2.24	8,928	17.81	11.33	
	9.96	H1010	2.24	8,928	22.31	13.07	
	11.97	H1012	2.24	8,928	26.81	15.04	
	14.02	H1014	2.24	8,928	31.4	16.65	
15	0.98	H1501	3.14	9,554	3.07	6.9	
	2.01	H1502	3.14	9,554	6.31	8.53	
	3.98	H1504	3.14	9,554	12.49	11.13	
	5.98	H1506	3.14	9,554	18.77	14.83	
	7.99	H1508	3.14	9,554	25.08	17.33	
	10	H1510	3.14	9,554	31.4	19.97	
	12.01	H1512	3.14	9,554	37.71	22.54	
25	1.02	H2501	5.15	9,708	5.25	12.06	
	2.01	H2502	5.15	9,708	10.35	14	
	4.02	H2504	5.15	9,708	20.7	18.03	
	6.1	H2506	5.15	9,708	31.41	22.23	
	8.11	H2508	5.15	9,708	41.77	26.27	
	10.12	H2510	5.15	9,708	52.12	30.3	
	12.2	H2512	5.15	9,708	62.83	34.27	
30	14.25	H2514	5.15	9,708	73.39	38.3	
	8.27	H3008	6.49	9,245	53.67	40.72	
	55	2.01	H5502	10.98	10,018	21.97	33
		4.06	H5504	10.98	10,018	44.57	41
		6.26	H5506 ±	10.98	10,018	68.73	57.5
10.25		H5510	10.98	10,018	112.55	67.4	
75	13.27	H5513 ±	10.98	10,018	145.7	87	
	6.14	H7506 ±	16.1	9,316	98.85	74	
	13.11	H7513 ±	16.1	9,316	211.07	122	
100	2.01	H10002A ±	20.58	9,718	41.34	66	
	6.61	H10006 ±	20.58	9,718	136.03	127	
	10.24	H10010 ±	20.58	9,718	210.74	153	

Model Number	Collapsed Height A (in)	Extended Height B (in)	Cylinder Bore C (in)	Outside Diameter D (in)	Rod Diameter E (in)	Saddle Diameter F (in)	Base to Inlet Port G (in)	Collar Thread H (in)	Collar Thread Length L (in)	Rod Internal Thread J (in)	Rod Thread Length K (in)	Base Mounting Hole		
												Bolt Circle X (in)	Thread Y (in)	Thread Depth Z (in)
H0203*	5.39	8.46	1	1.31	0.87	1	0.46	1¼"-16	0.54	-	-	-	-	-
H0500**	1.63	2.26	1.18	L2.37xW1.59xH1.63	0.98	-	0.75	-	-	-	-	1.1	-	-
H0501	4.58	5.58	1.13	1.50	1.0	0.98	0.79	1½"-16	1.1	¾"-16UNF	0.63	1.0	¼"-20UNC	0.55
H0503	6.65	9.72	1.13	1.50	1.0	0.98	0.79	1½"-16	1.1	¾"-16UNF	0.63	1.0	¼"-20UNC	0.55
H0505	8.7	13.78	1.13	1.50	1.0	0.98	0.79	1½"-16	1.1	¾"-16UNF	0.63	1.0	¼"-20UNC	0.55
H0507	10.71	17.8	1.13	1.50	1.0	0.98	0.79	1½"-16	1.1	¾"-16UNF	0.63	1.0	¼"-20UNC	0.55
H0509	12.75	21.75	1.12	1.5	1.0	0.98	0.79	1½"-16	1.1	¾"-16UNF	0.63	1.0	¼"-20UNC	0.55
H1001	3.62	4.6	1.69	2.26	1.49	-	0.77	2¼"-14	1.18	10-24UNC	0.24	1.56	5/16"-18UNC	0.55
H1002	4.84	6.85	1.69	2.26	1.49	1.38	0.77	2¼"-14	1.18	1"-8UNC	0.79	1.56	5/16"-18UNC	0.55
H1004	6.85	10.87	1.69	2.26	1.49	1.38	0.77	2¼"-14	1.18	1"-8UNC	0.79	1.56	5/16"-18UNC	0.55
H1006	9.84	15.78	1.69	2.26	1.49	1.38	0.77	2¼"-14	1.18	1"-8UNC	0.79	1.56	5/16"-18UNC	0.55
H1008	11.85	19.8	1.69	2.26	1.49	1.38	0.77	2¼"-14	1.18	1"-8UNC	0.79	1.56	5/16"-18UNC	0.55
H1010	13.86	23.82	1.69	2.26	1.49	1.38	0.77	2¼"-14	1.18	1"-8UNC	0.79	1.56	5/16"-18UNC	0.55
H1012	15.87	27.84	1.69	2.26	1.49	1.38	0.77	2¼"-14	1.18	1"-8UNC	0.79	1.56	5/16"-18UNC	0.55
H1014	17.72	31.74	1.69	2.26	1.49	1.38	0.77	2¼"-14	1.18	1"-8UNC	0.79	1.56	5/16"-18UNC	0.55
H1501	4.88	5.86	2.0	2.75	1.63	1.5	0.77	2¼"-16	1.18	1"-8UNC	0.98	1.88	¾"-16UNC	0.51
H1502	5.87	7.88	2.0	2.75	1.63	1.5	0.77	2¼"-16	1.18	1"-8UNC	0.98	1.88	¾"-16UNC	0.51
H1504	7.87	11.85	2.0	2.75	1.63	1.5	0.77	2¼"-16	1.18	1"-8UNC	0.98	1.88	¾"-16UNC	0.51
H1506	10.63	16.61	2.0	2.75	1.63	1.5	0.98	2¼"-16	1.18	1"-8UNC	0.98	1.88	¾"-16UNC	0.51
H1508	12.64	20.63	2.0	2.75	1.63	1.5	0.98	2¼"-16	1.18	1"-8UNC	0.98	1.88	¾"-16UNC	0.51
H1510	14.65	24.65	2.0	2.75	1.63	1.5	0.98	2¼"-16	1.18	1"-8UNC	0.98	1.88	¾"-16UNC	0.51
H1512	16.65	28.66	2.0	2.75	1.63	1.5	0.98	2¼"-16	1.18	1"-8UNC	0.98	1.88	¾"-16UNC	0.51
H1514	18.66	32.68	2.0	2.75	1.63	1.5	0.98	2¼"-16	1.18	1"-8UNC	0.98	1.88	¾"-16UNC	0.51
H2501	5.63	6.65	2.56	3.35	2.24	1.97	0.98	3-5/16"-12	1.93	1½"-16	1.18	2.31	½"-13UNC	0.75
H2502	6.61	8.62	2.56	3.35	2.24	1.97	0.98	3-5/16"-12	1.93	1½"-16	1.18	2.31	½"-13UNC	0.75
H2504	8.62	12.64	2.56	3.35	2.24	1.97	0.98	3-5/16"-12	1.93	1½"-16	1.18	2.31	½"-13UNC	0.75
H2506	10.71	16.81	2.56	3.35	2.24	1.97	0.98	3-5/16"-12	1.93	1½"-16	1.18	2.31	½"-13UNC	0.75
H2508	12.72	20.83	2.56	3.35	2.24	1.97	0.98	3-5/16"-12	1.93	1½"-16	1.18	2.31	½"-13UNC	0.75
H2510	14.72	24.84	2.56	3.35	2.24	1.97	0.98	3-5/16"-12	1.93	1½"-16	1.18	2.31	½"-13UNC	0.75
H2512	16.77	28.97	2.56	3.35	2.24	1.97	0.98	3-5/16"-12	1.93	1½"-16	1.18	2.31	½"-13UNC	0.75
H2514	18.74	32.99	2.56	3.35	2.24	1.97	0.98	3-5/16"-12	1.93	1½"-16	1.18	2.31	½"-13UNC	0.75
H3008	15.24	23.51	2.87	4.0	2.24	1.97	1.97	3-5/16"-12	1.93	1½"-16	1.18	2.2	-	-
H5502	6.93	8.94	3.74	5.0	3.15	2.76	1.22	5"-12	2.17	-	-	3.75	½"-13UNC	0.75
H5504	8.94	13	3.74	5.0	3.15	2.76	1.22	5"-12	2.17	-	-	3.75	½"-13UNC	0.75
H5506	11.14	17.4	3.74	5.0	3.15	2.76	1.22	5"-12	2.17	-	-	3.75	½"-13UNC	0.75
H5510	15.16	25.41	3.74	5.0	3.15	2.76	1.22	5"-12	2.17	-	-	3.75	½"-13UNC	0.75
H5513	18.15	31.42	3.74	5.0	3.15	2.76	1.22	5"-12	2.17	-	-	3.75	½"-13UNC	0.75
H7506	11.22	17.36	4.53	5.79	3.74	2.76	1.18	5¾"-12	1.77	-	-	-	-	-
H7513	19.37	32.48	4.53	5.79	3.74	2.76	1.18	5¾"-12	1.77	-	-	3.94	21/32"-10UNC	0.85
H10002A	8.62	10.63	5.12	6.25	4.13	2.76	1.5	6¼"-12	2.17	-	-	-	-	-
H10006	14.06	20.67	5.12	6.97	4.13	2.76	1.57	6¾"-12	1.77	-	-	5.5	3/4"-10UNC	1
H10010	17.68	27.92	5.12	6.97	4.13	2.76	1.57	6¾"-12	1.77	-	-	5.5	3/4"-10UNC	1