



BVA[®]

HYDRAULICS

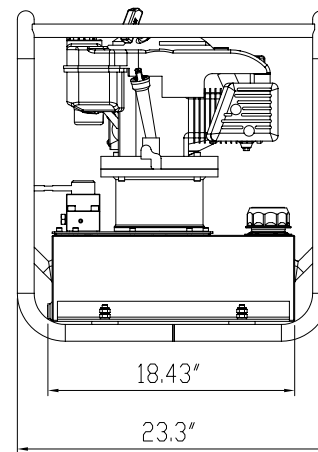
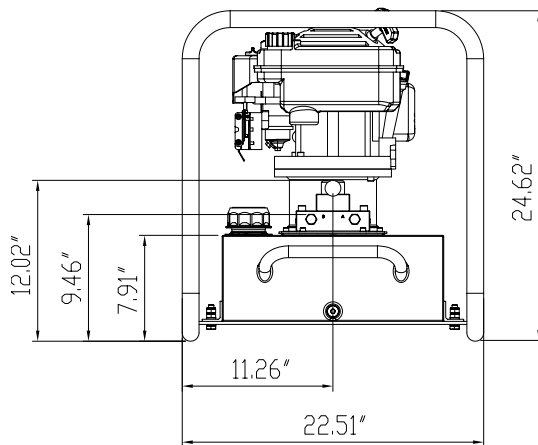


GAS ENGINE PUMP

PG5505

Feature:

- Gas engine pump will provide 10,000 psi. hydraulic force at remote locations
- Industrial grade 5.5 hp Honda gas engine
- Manual control valve for use with single or double acting cylinders or tools
- Two speed pump designed for rapid cylinder advance
- Gas pump features a sturdy protective roll cage for use in the toughest environments



Model Number	Motor Size (hp)	Usable Oil Capacity (gal)	Max. Pressure Output (psi)	Pressure Rating (psi)		Oil Output Flow Rate (in ³ /min)		Valve Type	Valve Function	Rotation Speed (rpm)	Sound Level (dBA)	Weight (lbs)
				1st Stage	2nd Stage	1st Stage	2nd Stage					
PG5505	5.5	5	10,000	700	10,000	427	100	Manual	Advance Hold Return	3600	93	121.2

BUILT TO LAST