

# P-Series, Lightweight Hand Pumps

▼ Pumps shown, from top to bottom: P-802, P-842, P-202, P-142



- Lightweight and compact design
- Durable glass-filled nylon reservoir and nylon encapsulated aluminum pump base for maximum corrosion resistance
- Two-speed operation on most models reduces handle strokes by as much as 78% over single speed pumps
- Lower handle effort to minimize operator fatigue
- Integral 4-way valve on P-842 for operation of double-acting cylinders
- Handle lock and lightweight construction for easy carrying
- Large oil capacities to power a wide range of cylinders or tools
- Non-conductive fiberglass handle for operator safety
- Internal pressure relief valve for overload protection

▼ P-392 in action with RC-256 cylinders.



## Exclusively from Enerpac



### Cylinder Matching Chart

For help in selecting the correct hand pump for your application, please refer to the Cylinder Matching Chart located in the “Yellow Pages”.

Page: 244



### Speed Chart

To determine how a specific pump will operate your cylinder, see the Pump/Cylinder Speed Chart in the “Yellow Pages”.

Page: 251



### Tank Kits

When a return-to-tank port is required, the Tank Kits provide a 7/16-20 port at the rear of the reservoir.

PC-20	Fits P-141, P-142
PC-25	Fits P-202, P-391, P-392



### LX-101 Hand Pump Oil

A medium viscosity oil specially formulated for hand pumps. Performs well in low temperatures and requires less pumping effort than standard Enerpac HF blue oil.

Page: 118

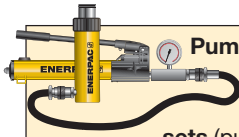
Pump Type	Usable Oil Capacity (in <sup>3</sup> )	Model Number	Pressure Rating*		Oil Displacement per Stroke (in <sup>3</sup> )		Max. Handle Effort (lbs)
			(psi)		(in <sup>3</sup> )		
			1 <sup>st</sup> stage	2 <sup>nd</sup> stage	1 <sup>st</sup> stage	2 <sup>nd</sup> stage	
Single speed	20	P-141	N/A	10,000	N/A	.055	72
	55	P-391	N/A	10,000	N/A	.151	85
Two speed	20	P-142**	200	10,000	.221	.055	78
	55	P-202	200	10,000	.221	.055	63
	55	P-392**	200	10,000	.687	.151	93
	155	P-802	400	10,000	2.40	.151	95
	155	P-842***	400	10,000	2.40	.151	95

\* Contact Enerpac for applications where operating pressure is less than 10% of pressure rating.

\*\* Available as set, see note on top of next page.

\*\*\* For use with double-acting cylinders.

# Lightweight Hand Pumps



## Pump and Cylinder Sets

Pumps marked with an \*\* are available as sets (pump, cylinder, gauge, couplers and hose) for your ordering convenience.

Page: 54

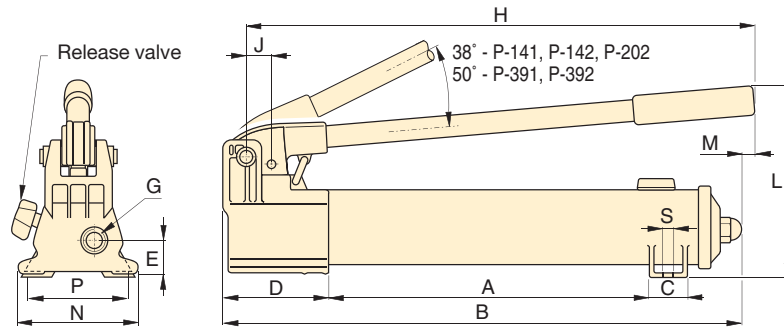
## P Series



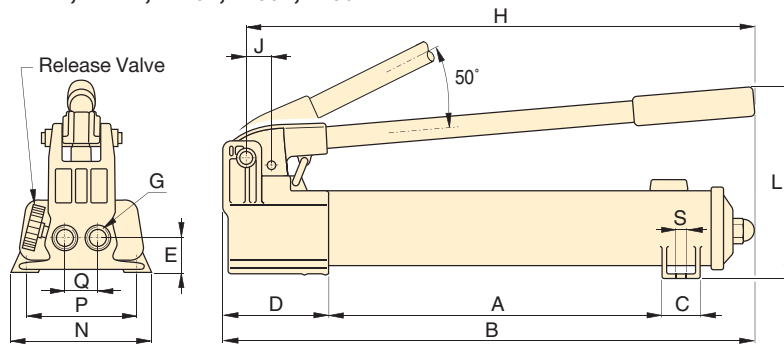
Reservoir Capacity:  
**20-155 in<sup>3</sup>**

Flow at Rated Pressure:  
**.055-.15 in<sup>3</sup>/stroke**

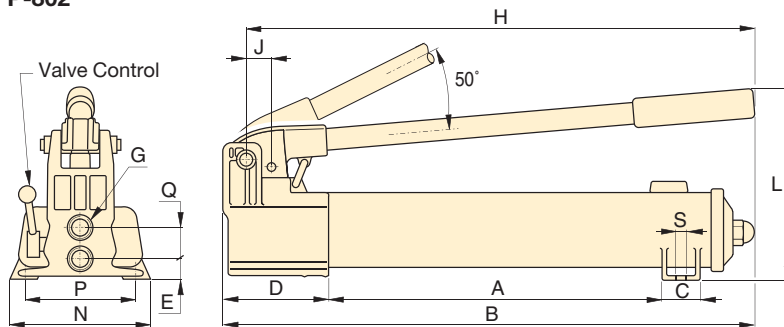
Maximum Operating Pressure:  
**10,000 psi**



P-141, P-142, P-202, P-391, P-392



P-802



P-842



### Hoses

Enerpac offers a complete line of high-quality hydraulic hoses. To ensure the integrity of your system, specify only genuine Enerpac hydraulic hoses.

Page: 114



### Gauges

Minimize the risk of overloading and ensure long, dependable service from your equipment. Refer to the System Components section for a full range of gauges.

Page: 113



### Aluminum Reservoir

For applications where composite reservoirs may not be suitable, the P-392AL utilizes an extruded aluminum reservoir. Also included is a second handle for two-hand use. Contact Enerpac for details.

Piston Stroke	Dimensions (in)															Weight (lbs)	Model Number
	(in)	A	B	C	D	E	G	H	J	L	M	N	P	Q	S		
.50	7.31	13.25	1.13	3.37	1.13	1.13	1/4"-18 NPTF	12.56	.75	5.63	-	3.75	3.25	-	.28	4.5	P-141
1.00	13.56	21.00	1.44	3.93	1.31	1.31	3/8"-18 NPTF	20.56	1.19	7.00	.63	4.75	-	-	-	9.0	P-391
.50	7.31	13.25	1.13	3.37	1.13	1.13	1/4"-18 NPTF	12.56	.75	5.63	-	3.75	3.25	-	.28	5.3	P-142**
.50	13.56	20.06	1.44	3.37	1.13	1.13	1/4"-18 NPTF	15.75	.75	5.69	.63	3.75	-	-	-	7.5	P-202
1.00	13.56	21.00	1.44	3.93	1.31	1.31	3/8"-18 NPTF	20.56	1.19	7.00	.63	-	-	-	-	9.0	P-392**
1.00	13.30	21.75	1.78	5.25	1.39	1.39	3/8"-18 NPTF	20.75	2.19	9.00	-	7.12	6.02	1.40	.41	18.0	P-802
1.00	13.30	21.75	1.78	5.25	.81	.81	3/8"-18 NPTF	20.75	2.19	9.00	-	7.12	6.02	1.44	.41	22.0	P-842***