

▼ Shown from left to right: P-25, P-51, P-18



When Less Than 10,000 psi is All You Need

- P-25 and P-50 pump oil in both forward and reverse handle movement improving overall efficiency, ideal when mounting space is restricted
- External load-release valve
- Internal pressure-relief valve for overload protection
- P-51 can be operated in horizontal and vertical position with pump head and oil outlet facing downwards



LX-101 Hand Pump Oil

A medium viscosity oil specially formulated for hand pumps. Performs well in low temperatures and requires less pumping effort than standard Enerpac HF blue oil.

Page: 118



Gauges

Minimize the risk of overloading and ensure long, dependable service from your equipment. Refer to the System Components section for a full range of gauges.

Page: 113

▼ P-18 hand pump used for locking the rotating table for marble polishing.



Pump Type	Usable Oil Capacity (in ³)	Model Number	Pressure Rating (psi)	Oil Displacement per Stroke (in ³)	Max. Handle Effort (lbs)
Single-speed	22	P-18	2,850	0.15	34
	200	P-25	2,500	0.58	60
	200	P-50	5,000	0.29	60
	50	P-51	3,000	0.25	61

Low Pressure Hand Pumps

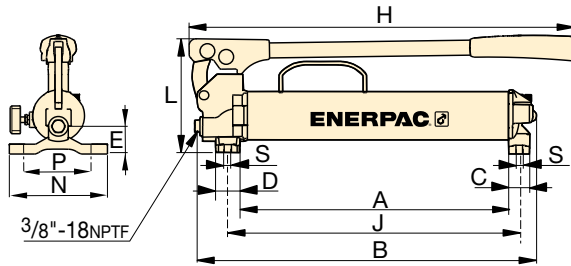
P Series



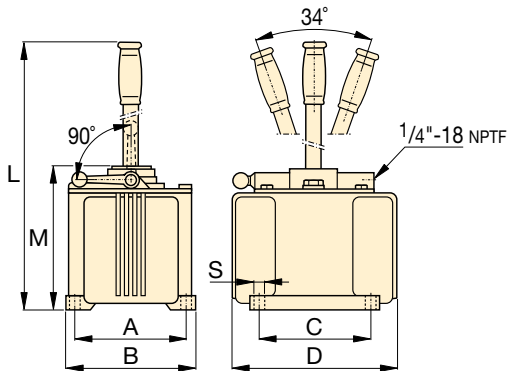
Reservoir Capacity:
22-200 in³

Flow at Rated Pressure:
.15-.58 in³/stroke

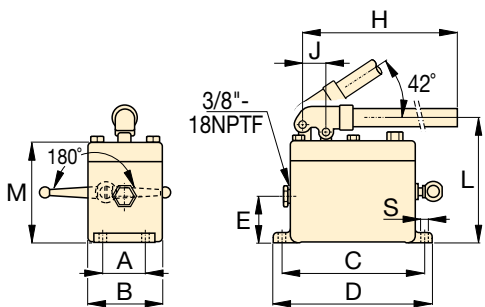
Maximum Operating Pressure:
2,500-5,000 psi



P-18



P-25, P-50



P-51

P-51 hand pumps used with RC-series cylinders to keep wooden layers under pressure during lamination of plates.



Hoses

Enerpac offers a complete line of high quality hydraulic hoses. To ensure the integrity of your system, specify only genuine Enerpac hydraulic hoses.

Page: **114**



Piston Stroke	Dimensions (in)												Weight (lbs)	Model Number
	(in)	A	B	C	D	E	H	J	L	M	N	P		
1.00	8.70	12.44	1.18	1.38	1.48	15.17	9.98	6.39	–	5.51	4.37	.33	11	P-18
1.50	6.00	6.82	6.00	9.43	–	–	–	26.94	7.88	–	–	.40	36	P-25
1.50	6.00	6.82	6.00	9.43	–	–	–	26.94	7.88	–	–	.40	37	P-50
1.00	2.06	3.63	7.12	7.88	2.25	24.00	1.16	6.31	5.06	–	–	.34	12	P-51