

# > Power Team<sup>®</sup>

[powerteam.com](http://powerteam.com)



## POSI LOCK<sup>®</sup> PULLERS



**CAGED DESIGN FOR EASE OF USE  
AND SUPERIOR SAFETY**

# SPX<sup>®</sup>

*Power Team offers a comprehensive line of Posi Lock® Pullers, powered manually or by hydraulics. These pullers are available in a two or three-jaw puller configuration. Mechanical pullers range from 1-40 ton capacity and hydraulic pullers range from 5-200 ton capacity. Turnkey kit packages are available to simplify your selection and setup.*

- ❶ Hydraulic cylinder reacts off shaft enabling jaws to extract object in a controlled manner.
- ❷ Mechanical pullers use a center bolt to provide force on the shaft enabling jaws to extract object in a controlled manner.
- ❸ T-handle facilitates the opening, closing, locking and aligning of the jaws.
- ❹ Safety Cage® guides jaws for quick setup, providing a “vise-like” grip reducing slippage.
- ❺ Forged jaws provides superior durability.
- ❻ Slim tapered jaws allow for easier gripping and better access to tight spots.
- ❼ Optional hydraulic cylinder tips to meet your application needs.
- ❽ Wide range of standard and long jaw reach arms to increase your versatility.



**► Versatility and Use**



*Tapered jaw design allows clamping around bearing for a perfect pull.*



*Tapered roller bearing on shaft.*



*Lock on ball grooves and bearing races.*

► Puller Selection Guide

When selecting a puller it is important to consider three basic specifications:

**Capacity:**

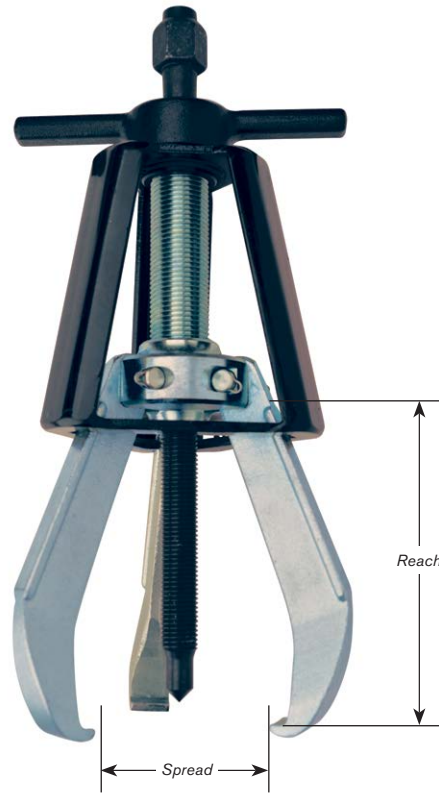
The amount of force the puller is capable of producing. Typically, the capacity required for a job can be determined by using the shaft diameter of the part being pulled. For manual pullers, the center bolt diameter of the puller should be at least half the diameter of the shaft being pulled from. For hydraulic pullers, the puller capacity should be 7-10 times the diameter of the shaft.

**Reach:**

The distance between the bottom of the base and the jaws. The puller's reach must equal or exceed the same distance of the part being pulled.

**Spread:**

The distance between the jaws. The puller's spread needs to be greater than the width of the part being pulled.



► Puller Selection Reference Guide

Mechanical Pullers



Shaft Diameter Range in (mm)	Minimum Bolt Diameter in (mm)	Order No. 2 Jaw Option	Order No. 3 Jaw Option
0.01–0.62 (0.10–15.7)	0.31 (7.9)	PT202	PT102
0.63–0.74 (15.8–18.8)	0.37 (9.4)	PT203	PT103
0.75–1.00 (18.9–25.4)	0.50 (12.7)	PT204	PT104
1.01–1.24 (25.5–31.5)	0.62 (15.7)	PT206	PT106
1.25–1.50 (31.6–38.1)	0.75 (19.1)	PT208 or PT210	PT108 or PT110
1.51–2.24 (38.2–56.9)	1.12 (28.4)	PT213	PT113
2.25–2.50 (57.0–63.5)	1.25 (31.8)	PT216	PT116

Hydraulic Pullers



Shaft Diameter Range in (mm)	Puller Capacity Short Tons	Order No. 2 Jaw Option	Order No. 3 Jaw Option
0.6–1.0 (12.8–25.4)	10	PTPHB-208	PTPHB-108
1.1–1.5 (25.5–38.1)	15	PTPHB-210	PTPHB-110
1.6–2.5 (38.2–63.5)	25	PTPHB-213	PTPHB-113
2.6–5.0 (63.6–127)	50	PTPHB-216	PTPHB-116

Order No.:

**PT110, PT216**



**Features**

- Mechanical pullers use a rolled center bolt thread to reduce effort when applying high torque to extract objects in a controlled manner.
- Recessed nut to avoid mushrooming and disfiguring.
- Slim tapered heat-treated tips allow for better gripping and easier access in tight spots.
- Safety Cage® guides jaws for fast set-up, solid contact and superior safety.



**Mechanical Puller Selection**



The center bolt diameter must be at least one-half (1/2) the size of the diameter of the shaft from which the object will be removed.

**Ordering Information**

							Optional Accessories				
							Long Jaws*		Tip Protector	Bolt Extender	
Order No.	Cap.	Jaws	Bolt Diameter	Reach	Spread	Weight	Order No.	Reach	Spread	Order No.	Order No.
	Short Tons	Qty.	in (mm)	in (mm)	in (mm)	lb (kg)		in (mm)	in (mm)		
PT202	1	2	0.31 (7.9)	2.25 (57)	3.25 (82.6)	0.62 (0.28)	—	—	—	—	—
PT203	2	2	0.37 (9.4)	3.00 (76.2)	4.50 (127)	1.12 (0.51)	—	—	—	—	—
PT204	2	2	0.5 (12.7)	4.00 (102)	5.00 (127)	3 (1.36)	—	—	—	PTP4	PTX4
PT206	6	2	0.62 (15.8)	6.00 (152)	7.00 (178)	7 (3.18)	—	—	—	PTP6	PTX6
PT208	12	2	0.75 (19)	8.00 (203)	12.00 (305)	12 (5.44)	PT11054 / PT11054L	9.8 (249) / 16.00 (406)	15.8 (401) / 22.00 (559)	PTP10	PTX10
PT210	14	2	0.75 (19)	9.67 (246)	15.00 (381)	13 (5.9)	PT11054L	16.00 (406)	22.00 (559)	PTP10	PTX10
PT213	25	2	1.12 (28.5)	12.00 (305)	18.00 (457)	38 (17.24)	PT11354L	20.00 (508)	30.00 (762)	PTP13 / PTP16	—
PT216	35	2	1.25 (32)	14.00 (356)	25.00 (635)	57 (25.85)	PT11654L	26.00 (660)	38.00 (965)	PTP13 / PTP16	—
PT102	1	3	0.31 (7.9)	2.25 (57)	3.25 (82.6)	0.68 (0.31)	—	—	—	—	—
PT103	2	3	0.37 (9.4)	3.00 (76.2)	4.50 (114.3)	1.3 (0.59)	—	—	—	—	—
PT104	5	3	0.5 (12.7)	4.00 (102)	5.00 (127)	4.1 (1.86)	—	—	—	PTP4	PTX4
PT106	10	3	0.62 (15.8)	6.00 (152)	7.00 (178)	8 (3.63)	—	—	—	PTP6	PTX6
PT108	17	3	0.75 (19)	8.00 (203)	12.00 (305)	14 (6.35)	PT11054 / PT11054L	9.8 (249) / 16.00 (406)	15.8 (401) / 22.00 (559)	PTP10	PTX10
PT110	20	3	0.75 (19)	9.67 (246)	15.00 (381)	16 (7.26)	PT11054L	16.00 (406)	22.00 (559)	PTP10	PTX10
PT113	30	3	1.12 (28.5)	12.00 (305)	18.00 (457)	44 (19.96)	PT11354L	20.00 (508)	30.00 (762)	PTP13 / PTP16	—
PT116	40	3	1.25 (32)	14.00 (356)	25.00 (635)	68 (30.84)	PT11654L	26.00 (660)	38.00 (965)	PTP13 / PTP16	—

\* Long jaws must be ordered in the quantity required. For example, order two PT11054 for the PT208.

Order No.:

PTPHB-116, PTPHB-110



Features

- Hydraulically powered to provide maximum extraction and controllability.
- Remote operation improves operator safety.
- Slim tapered heat-treated tips allow for better gripping and easier access in tight spots.
- Safety Cage® guides jaws for fast set-up, solid contact and superior safety.



Hydraulic Puller Selection



The maximum force exerted in tons should be 7 to 10 times the diameter of the shaft in inches; for example, a 1.5" diameter shaft would generally require a 15-ton puller.



Ram Centered Point Tips



Each hydraulic puller is equipped with a set of four (4) ram tips in various sizes and shapes.

Ordering Information

Order No.	Capacity Short Tons	Cylinder Included	Jaws Qty.	Reach in (mm)	Spread in (mm)	Weight lb (kg)	Optional Accessories		
							Long Jaws*		
							Order No.	Reach in (mm)	Spread in (mm)
PTPHB-206	5	C55C	2	6.00 (152.4)	8.00 (203.2)	12.7 (5.76)	—	—	—
PTPHB-208	10	C106C	2	8.00 (203)	12.00 (305)	14 (6.35)	PT11054 / PT11054L	9.8 (249) / 16.00 (406)	15.8 (401) / 22.00 (559)
PTPHB-210	15	C1510C	2	10.00 (254)	15.00 (381)	22 (9.98)	PTPH-11054L	16.00 (406)	22.00 (559)
PTPHB-213	25	C2514C	2	12.00 (305)	18.00 (457)	47 (21.32)	PT11354L	20.00 (508)	30.00 (762)
PTPHB-216	50	C5513C	2	14.00 (356)	25.00 (635)	90 (40.82)	PTPH-21654L	26.00 (660)	38.00 (965)
PTPHB-106	5	C55C	3	6.00 (152.4)	8.00 (203.2)	14.35 (6.51)	—	—	—
PTPHB-108	10	C106C	3	8.00 (203)	12.00 (305)	16 (7.26)	PT11054 / PT11054L	9.8 (249) / 16.00 (406)	15.8 (401) / 22.00 (559)
PTPHB-110	15	C1510C	3	10.00 (254)	15.00 (381)	25 (11.34)	PTPH-11054L	16.00 (406)	22.00 (559)
PTPHB-113	25	C2514C	3	12.00 (305)	18.00 (457)	55 (24.95)	PT11354L	20.00 (508)	30.00 (762)
PTPHB-116	50	C5513C	3	14.00 (356)	25.00 (635)	100 (45.36)	PTPH-11654L	26.00 (660)	38.00 (965)

\* Long jaws must be ordered in the quantity required. For example, order three PT11054 for the PTPHB-108.

► **Hydraulic Bundles**

Power Team offers a comprehensive line of turnkey Posi Lock® hydraulic two and three-jaw puller sets.



3 Jaw		2 Jaw		Cap. Short Tons	Cylinder Included	Pump Included	Gauge Included	Hose Included	T Adapter Included
Order No.	Order No.	Order No.	Order No.						
PTPHC-206	PTPHC-106	5	C55C	P19L	9040	9756	9670		
PTPHC-208	PTPHC-108	10	C106C	P19L	9040	9756	9670		
PTPHC-210	PTPHC-110	15	C1510C	P59L	9040	9756	9670		
PTPHC-213	PTPHC-113	25	C2514C	P159	9040	9756	9670		
PTPHC-216	PTPHC-116	50	C5513C	P460	9040	9756	9670		



3 Jaw		2 Jaw		Cap. Short Tons	Cylinder Included	Pump Included	Gauge Included	Hose Included	T Adapter Included
Order No.	Order No.	Order No.	Order No.						
PTPHD-206	PTPHD-106	5	C55C	PE172	9040	9758	9670		
PTPHD-208	PTPHD-108	10	C106C	PE172	9040	9758	9670		
PTPHD-210	PTPHD-110	15	C1510C	PE172	9040	9758	9670		
PTPHD-213	PTPHD-113	25	C2514C	PE172	9040	9758	9670		
PTPHD-216	PTPHD-116	50	C5513C	PE172	9040	9758	9670		

► **High Tonnage Pullers**

Power Team Posi Lock 100 and 200 ton hydraulic pullers provide maximum extraction force in applications requiring high force removal of large gears, pulleys, wheels, sleeves and other press fit parts. Lifting brackets allow the puller to be removed from the cart and lifted into work places above 5ft.



	Order No.	Cap.	Jaws	Reach	Spread	Tip Width	Tip Clearance	Depth	Weight
		Short Tons	Qty.	in (mm)	in (mm)	in (mm)	in (mm)	in (mm)	lb (kg)
Single Acting	PTPH-102T	100	2	50 (1270)	70 (1778)	125 (32)	3.5 (89)	3.5 (89)	1700 (771.11)
	PTPH-100T	100	3	50 (1270)	70 (1778)	125 (32)	3.5 (89)	3.5 (89)	1950 (884.5)
	PTPH-123T	100	2/3	50 (1270)	70 (1778)	125 (32)	3.5 (89)	3.5 (89)	2000 (907.18)
	PTPH-102TV*	100	2	50 (1270)	70 (1778)	125 (32)	3.5 (89)	3.5 (89)	1800 (816.47)
Double Acting	PTPH-102TDA	100	2	50 (1270)	70 (1778)	125 (32)	3.5 (89)	3.5 (89)	1800 (816.47)
	PTPH-100TDA	100	3	50 (1270)	70 (1778)	125 (32)	3.5 (89)	3.5 (89)	2050 (929.86)
	PTPH-123TDA	100	2/3	50 (1270)	70 (1778)	125 (32)	3.5 (89)	3.5 (89)	2100 (952.54)
	PTPH-102DATV*	100	2	50 (1270)	70 (1778)	125 (32)	3.5 (89)	3.5 (89)	1800 (816.47)
	PTPH-200T	200	4	48 (1219)	70 (1778)	125 (32)	3.5 (89)	3.5 (89)	4150 (1882.41)

\* Vertical mounted puller.

Note: Each high tonnage puller is equipped with a 115VAC PE55 Power Pump and a C Series Cylinder for single acting or RD Series Cylinder on double acting models. Pushing adapters sized; 3.5" diameter and lengths 9", 19" & 29" are included. Contact factory for other voltage requirements.

► Puller Accessories

Power Team offers accessories to compliment your puller. These accessories conveniently store, transport and position your hydraulic pullers to maximize your productivity.



Storage Transport Cart



Hydraulic Lift Cart

Order Number		
Hydraulic Lift Cart	Storage Transport Cart	Puller No.
PTPT-3050	PTPT-2550	PTPHB-213
PTPT-3050	PTPT-2550	PTPHB-216
PTPT-3050	PTPT-2550	PTPHB-113
PTPT-3050	PTPT-2550	PTPHB-116

Accessories only for models shown above.

► Protective Blankets

Power Team safety blankets are designed to contain broken or flying parts from the most extreme forces, thus resulting in a much safer work environment.



Order No.	Fits Puller Range by Ton	Size	Number of Straps	Weight
		in (mm)		lb (kg)
PB12	5	12x30 (304 x 762)	2	2.8 (1.27)
PB2036C	10	20x36 (508 x 914)	2	4.2 (1.91)
PB2860C	25	28x60 (711 x 1524)	3	9.3 (4.22)
PB337	50	33x72 (838 x 1828)	3	11.7 (5.31)
PB44120C	100	44x120 (1117 x 3048)	4	24.2 (10.98)
PB51156C	200	51x156 (1295 x 3962)	4	34.4 (15.6)

► Promotional Goods

Showcase your pullers with a branded, reinforced pegboard display in your showroom or shop.



Peg Board Only  
Order No. 2008505



Peg Board with Pullers  
Order No. PTPM4L

Kit Components	Description	Order Number					
		PTPM4	PTPM4L	PTPM4S	PTPM5	PTPM6	PTMPS16
PTP13/16	TIP PROTECTOR for PT113 / PT213 / PT116 / PT216	—	—	—	—	—	4
PTP10	TIP PROTECTOR PT108 / PT208 / PT110 / PT21	1	2	—	1	2	4
PTP6	TIP PROTECTOR for PT106 / PT206	2	2	2	2	2	2
PTP4	TIP PROTECTOR for PT104 / PT204	1	—	2	1	2	2
PT216	PULLER, MANUAL 2 JAW - 35 TON	—	—	—	—	—	1
PT213	PULLER, MANUAL 2 JAW - 25 TON	—	—	—	—	—	1
PT210	PULLER, MANUAL 2 JAW - 14 TON	—	1	—	—	1	1
PT208	PULLER, MANUAL 2 JAW - 12 TON	—	—	—	—	—	1
PT206	PULLER, MANUAL 2 JAW - 6 TON	1	1	1	1	1	1
PT204	PULLER, MANUAL 2 JAW - 2 TON	—	—	1	—	1	1
PT203	PULLER, MANUAL 2 JAW - 2 TON	—	—	—	—	—	1
PT202	PULLER, MANUAL 2 JAW - 1 TON	—	—	—	—	—	1
PT116	PULLER, MANUAL 3 JAW - 40 TON	—	—	—	—	—	1
PT113	PULLER, MANUAL 3 JAW - 30 TON	—	—	—	—	—	1
PT110	PULLER, MANUAL 3 JAW - 20 TON	1	1	—	1	1	1
PT108	PULLER, MANUAL 3 JAW - 17 TON	—	—	—	—	—	1
PT106	PULLER, MANUAL 3 JAW - 10 TON	1	1	1	1	1	1
PT104	PULLER, MANUAL 3 JAW - 5 TON	—	—	—	—	—	1
PT103	PULLER, MANUAL 3 JAW - 2 TON	—	—	—	1	—	1
PT102	PULLER, MANUAL 3 JAW - 1 TON	—	—	—	—	—	1
2008505	TOOL BOARD KIT, POSI LOCK TOOL SETS	1	1	1	1	2	2

## CUSTOMER SERVICE CENTERS

### North America

5885 11th Street  
Rockford, IL 61109  
USA

#### Customer Service/Order Entry

Tel: +1 800 541 1418  
Fax: +1 800 288 7031

info@powerteam.com

#### Technical Services

Tel: +1 800 477 8326  
Fax: +1 800 765 8326

### European Headquarters

Albert Thijsstraat 12  
6471 WX Eyselshoven  
The Netherlands

#### Customer Service/Order Entry

Tel: +31 45 567 8877  
Fax: +31 45 567 8878

infoeurope@powerteam.com

### Asia Pacific Headquarters

26 Soon Lee Road  
Singapore 628086  
Singapore

#### Customer Service/Order Entry

Tel: +65 6265 3343  
Fax: +65 6265 6646

infoasia@powerteam.com

### Shanghai, China

No. 1568 Hua Shan Road  
Treasury Building, 7th Floor  
Shanghai 200052, China

#### Customer Service/Order Entry

Tel: +86 21 2208 5888  
Fax: +86 21 2208 5682

infochina@powerteam.com

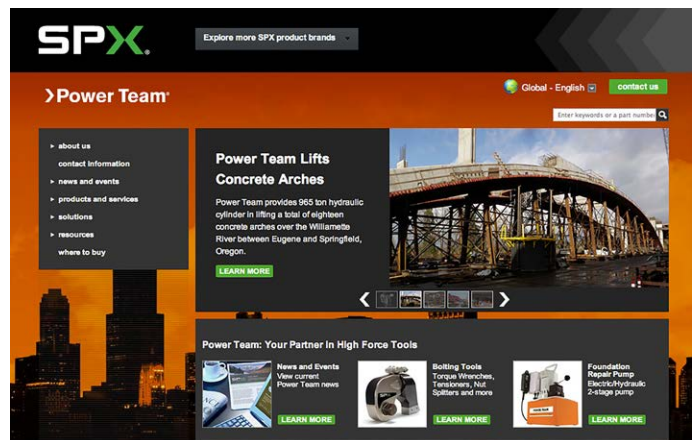
## ENGINEERING, MANUFACTURING AND SUPPORT CENTER

### World Headquarters

5885 11th Street  
Rockford, IL 61109, USA  
Tel: +1 815 874 5556  
Fax: +1 800 288 7031

info@powerteam.com

Visit us at [www.powerteam.com](http://www.powerteam.com)



Posi Lock® and Safety Cage® are registered trademarks of Posi Lock Puller, Inc.

Distributed by:

# SPX®