



3-Phase Electric Pumps

Electric Power Source



PE60S4L06G

PE40DSP02G



Pressure Settings

Custom pressure settings available upon request. Contact your local BVA dealer.



Safety Instructions

Visit our DO'S and DON'TS section to review the best methods of operation. Always be prepared.

pg 92

- All hand pendants are wired with 24 VAC
- Quiet operation meets OSHA regulations (80dBA)
- 2 speed operation allows for faster cylinder advance
- Full load starting capacities
- Internal suction strainer keeps contamination from damaging pump
- Rugged durable design meets the demands of industrial applications
- Precision components to minimize wear and improve overall dependability
- Motors are rated 50/60 Hz for voltage
- Reservoirs equipped with sight level gauges
- PE40 models are standard as 240 VAC 60 Hz
- PE60 Models are standard as 480 VAC 60 Hz

Use with Cylinder Type	Flow Rate				Motor Size***
	1 st Stage		2 nd Stage		
	in ³ /min	psi	in ³ /min	psi	

Dump Solenoid Valve w/10 ft. Pendant

	2W/2P Advance/Return (Auto*)		311	700	37	10,000	1.0 Hp
			592	700	110	10,000	3.0 Hp
	3W/2P Advance/Return**		311	700	37	10,000	1.0 Hp
			592	700	110	10,000	3.0 Hp

Manual Valve

	3W/3P Advance/Hold Return		311	700	37	10,000	1.0 Hp
			592	700	110	10,000	3.0 Hp
	4W/3P Advance/Hold/Return		311	700	37	10,000	1.0 Hp
			592	700	110	10,000	3.0 Hp

Solenoid Valve w/10 ft. Pendant & Locking Plate

	3W/3P Advance/Hold Return		311	700	37	10,000	1.0 Hp
			592	700	110	10,000	3.0 Hp
	4W/3P Advance/Hold/Return		311	700	37	10,000	1.0 Hp
			592	700	110	10,000	3.0 Hp

1-888-332-6419

www.BVAhydraulics.com

* Advance position holds pressure with motor running or off. Return retracts cylinder with motor off

** Advance position holds pressure with motor running and cylinder Returns when button is released.

*** Standard voltage on the 1 Hp pump is 208-240 VAC 60 Hz; 3 Hp pump is 460-480 VAC 60 Hz



Safety Practices

Good industry practice recommends not exceeding 80% of maximum rated capacities of all our products.

Related Product: Gauges

Reduce the risk of overloading your product by using a gauge. A variety of graduations and types to suit any need.

pg 69

Additional Voltages

Additional voltage options are available, see part number matrix for options

pg 59

Usable Oil Capacity							
2 Gal	3 Gal	5 Gal	6 Gal	10 Gal	15 Gal	25 Gal	40 Gal
Model Number							
Dump Solenoid Valve w/10 ft. Pendant							
PE40H2S02G	PE40H2S03G	PE40H2S05G	-	PE40H2S10G	PE40H2S15G	PE40H2S25G	-
-	-	-	PE60H2S06J	PE60H2S10J	PE60H2S15J	-	PE60H2S40J
PE40DSP02G	PE40DSP03G	PE40DSP05G	-	PE40DSP10G	PE40DSP15G	PE40DSP25G	-
-	-	-	PE60DSP06J	PE60DSP10J	PE60DSP15J	-	PE60DSP40J
Manual Valve							
PE40M3N02G	PE40M3N03G	PE40M3N05G	-	PE40M3N10G	PE40M3N15G	PE40M3N25G	-
-	-	-	PE60M3N06J	PE60M3N10J	PE60M3N15J	-	PE60M3N40J
PE40M4N02G	PE40M4N03G	PE40M4N05G	-	PE40M4N10G	PE40M4N15G	PE40M4N25G	-
-	-	-	PE60M4N06J	PE60M4N10J	PE60M4N15J	-	PE60M4N40J
Solenoid Valve w/10 ft. Pendant & Locking Plate							
PE40S3L02G	PE40S3L03G	PE40S3L05G	-	PE40S3L10G	PE40S3L15G	PE40S3L25G	-
-	-	-	PE60S3L06J	PE60S3L10J	PE60S3L15J	-	PE60S3L40J
PE40S4L02G	PE40S4L03G	PE40S4L05G	-	PE40S4L10G	PE40S4L15G	PE40S4L25G	-
-	-	-	PE60S4L06J	PE60S4L10J	PE60S4L15J	-	PE60S4L40J

* Advance position holds pressure with motor running or off. Return retracts cylinder with motor off
 ** Advance position holds pressure with motor running and cylinder Returns when button is released.
 *** Standard voltage on the 1 Hp pump is 208-240 VAC 60 Hz; 3 Hp pump is 460-480 VAC 60 Hz



3-Phase Electric Pumps

Electric Power Source



PE60M4N06G

PE60S4L40J



Safety Practices

Good industry practice recommends not exceeding 80% of maximum rated capacities of all our products.

Related Product: Gauges



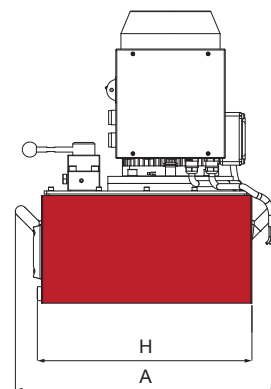
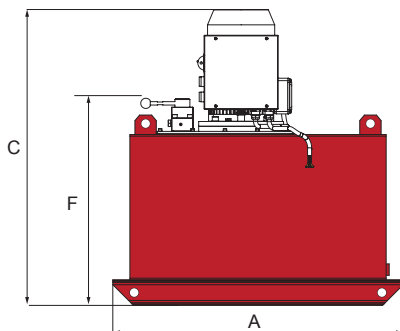
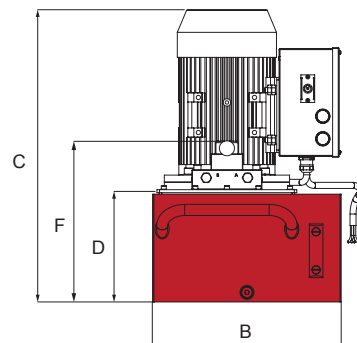
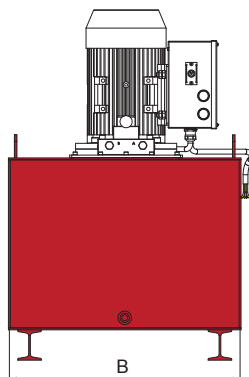
Reduce the risk of overloading your product by using a gauge. A variety of graduations and types to suit any need.

pg 69

Pressure Settings



Custom pressure settings available upon request. Contact your local BVA dealer.



Reservoir Size	Dimensional Table (in.)						Pump Weight by Series* (lbs.)
	A	B	C	D	F	H	PE40
2 Gal	16.65	12.01	21.00	5.98	13.16	12.36	72.0
3 Gal	16.65	12.01	22.25	7.24	10.51	12.36	81.0
5 Gal	16.65	12.01	27.25	12.28	15.53	12.36	102.0
10 Gal	20.87	16.54	28.25	18.98	22.25	16.54	184.0
15 Gal	20.87	16.54	37.25	22.13	25.40	16.54	255.0
25 Gal	25.59	21.26	39.25	22.13	25.40	21.26	362.0

Reservoir Size	Dimensional Table (in.)						Pump Weight by Series* (lbs.)
	A	B	C	D	F	H	PE60
6 Gal	20.63	14.80	22.95	8.82	16.04	16.87	187.0
10 Gal	27.13	19.53	24.82	11.75	17.91	23.13	348.0
15 Gal	27.13	23.46	24.82	11.75	17.91	23.13	396.0
40 Gal	34.50	23.13	38.58	24.00	31.67	-	628.0

* Pump weights include oil.

3-Phase Pump Matrix Chart

If you don't see a pump that would fit your application needs, you can custom build a pump to your desired specifications. Use this Pump Matrix Chart as a guide for creating your very own custom built Electric Pump. For assistance in building your pump, call your local BVA Representative.

P **E** **40** **DSP** **02** **G** - **A** **G**

1 **2** **3** **4** **5** **6** **7**
 Product Motor Flow Valve Reservoir Voltage Pump
 Type Type Group Type /Operation Size Voltage Options

1 - Product Type

P Pump

2 - Motor Type

E Induction Electric Motor, TEFC

3 - Flow Group

40 311/37 in³/min @ 700/10,000 psi, 1.0 Hp

60 592/110 in³/min @ 700/10,000 psi, 3.0 Hp

4 - Valve Type/Operation

CMR Pump Mounted Manifold Block - Pressure & Return Ports Only

DSP Dump Solenoid Valve w/pendant 3W/2P (Spool Type Valve)

M2N Manual Valve 3W/2P

M3N Manual Valve 3W/3P

M4N Manual Valve 4W/3P

M3L Manual Valve 3W/3P w/Locking Plate

M4L Manual Valve 4W/3P w/Locking Plate

S3N Solenoid Valve 3W/3P (Spool Type)

S4N Solenoid Valve 4W/3P (Spool Type)

S3L Solenoid Valve 3W/3P w/Locking Plate (Spool Type Valve)

S4L Solenoid Valve 4W/3P w/Locking Plate (Spool Type Valve)

5 - Reservoir Size

02 2 Gallon

03 3 Gallons

05 5 Gallons (*not available on PE60*)

06 6 Gallons

10 10 Gallons

15 15 Gallons

25 25 Gallons

40 40 Gallons

6 - Voltage

G 208-240V 3 ph 60 Hz - No Plug

W 380-415V 3 ph 50 Hz - No Plug

J 460-480V 3 ph 60 Hz - No Plug or Wire

7 - Pump Options

A External Pressure Adjustment Block (*available on any models with 3W/3P or 4W/3P*)

G Gauge w/Gauge Adapter 0-15,000 psi 2-1/2" Wet - Installed "A" Port

P Pressure Switch (*available on solenoid equipped models only*)

U Foot Control Switch (*available on solenoid equipped models only*)

W Wireless Control (*available on solenoid equipped models only*)

Not all options are available in all configurations. Table is for reference only. Please consult your local BVA dealer if you want to order a custom pump or if you have questions.



PE Series

Ordering Example

PE40DSP02G

After reviewing this model number, we know that the pump has the following specifications:

- Electric power source
- 1 Hp flow group
- Dump Solenoid Valve w/Pendant 3W/2P
- 2 gallon reservoir tank
- 208-240V 3 ph 60 Hz Voltage - No Plug



PE40DSP02G

Pump Accessories

See the assortment of accessories designed to work with these pumps.

pg 69

Safety Instructions

Visit our DO'S and DON'TS section to review the best methods of operation. Always be prepared.

pg 92

Related Product: Hoses

We offer a variety of hoses, fittings, lengths and materials.

pg 72